

ANALYTICAL BALANCES AS

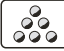





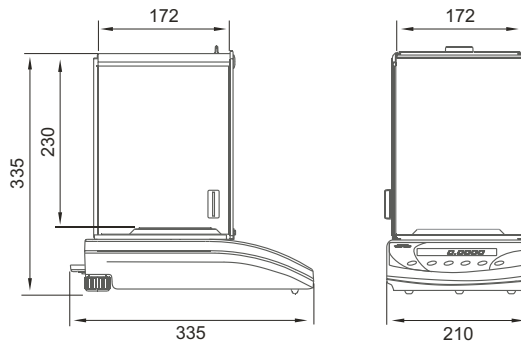
Balances series AS represent standard level of analytical balances. They are equipped with backlit LCD display. Accuracy and precise measurement of the balances are determined by internal calibration, dependant on time and temperature changes.

Analytical balances AS series are offered with following capacities: 110, 160, 220, 310 g with readability of 0,1 mg and 60/220 with readability 0,1/0,01 mg and 100 g with readability 0,01 mg.

GLP procedure of these balances is a report from calibration process of the balance, and this information has unchangeable shape (no modification possible). User has access to big measuring chamber with sliding doors and sliding top glass. Each balance is equipped with RS 232 output and possibility of connection of additional display as standard.

Balances have possibility of weighing loads under the weighing pan, i.e. under-hook weighing. In such case the mass of load is measured under the pan. It is an alternative for loads with non-standard dimensions, shapes and loads which create magnetic field. Under-hook weighing is also applied for density determination of materials.

-  Counting pieces
-  Density determination
-  Percentage
-  2 years warranty period



Technical data:

	AS 60/C/2	AS 60/220/C/2	AS 110/C/2	AS 160/C/2	AS 220/C/2	AS 310/C/2 *
Max capacity	60 g	60 g/220 g	110 g	160 g	220 g	310 g
Minimal load	10 mg	10 mg	10 mg	10 mg	10 mg	10 mg
Readability	0,01 mg	0,01 mg/0,1 mg	0,1 mg	0,1 mg	0,1 mg	0,1 mg
Tare range	-60 g	-220 g	-110 g	-160 g	-220 g	-310 g
Working temperature	+10° - +45°C					
Repeatability	0,03	0,03/0,2	0,1 mg	0,15	0,15	0,2
Linearity	± 0,05	± 0,05/0,2	± 0,3 mg	± 0,3	± 0,3	± 0,3
Sensitivity drift	2 ppm/°C in temperature +15° - +35°C					
Power supply	power adapter 230V 50Hz AC / 11V AC 380 mA					
Calibration	internal (automatic)					
Pan size	ø 85 mm					

* non-verified balance

Additional equipment:

ANTI-VIBRATION TABLE (MILD STEEL OR STAINLESS STEEL)

PRINTERS: KAFKA 1, KAFKA 1Z, KAFKA SQ

PRINTER EPSON: TM-U220D, TM-U220B, TM-U220A

DENSITY KIT FOR SOLIDS AND LIQUIDS

RACK FOR UNDER-HOOK WEIGHING

ADDITIONAL LCD DISPLAY

EXTERNAL RECHARGEABLE BATTERY WITH CHARGER

COMPUTER SOFTWARE: PW-WIN 2005

COMPUTER SOFTWARE: RAD-KEY 2000

COMPUTER SOFTWARE: REC-FS 2000

DISTRIBUTOR: